



Foshan Xingyuan Auto Accessories Co.,Ltd  
Xingyuan LED Lighting (HK) Industrial Limited

Add:NO.2, 11th Street, Fengxiang Road, Fengxiang Industrial Area,  
Daliang, Shunde District, Foshan City, Guangdong, China  
Tel: +86-757-22667066 22227365 E-mail: admin@xingyuan-lighting.com  
<http://www.xingyuan-led.com> <http://www.xingyuanled.com.cn>

# LED Pickup Truck Light



# LED Pickup Truck Light

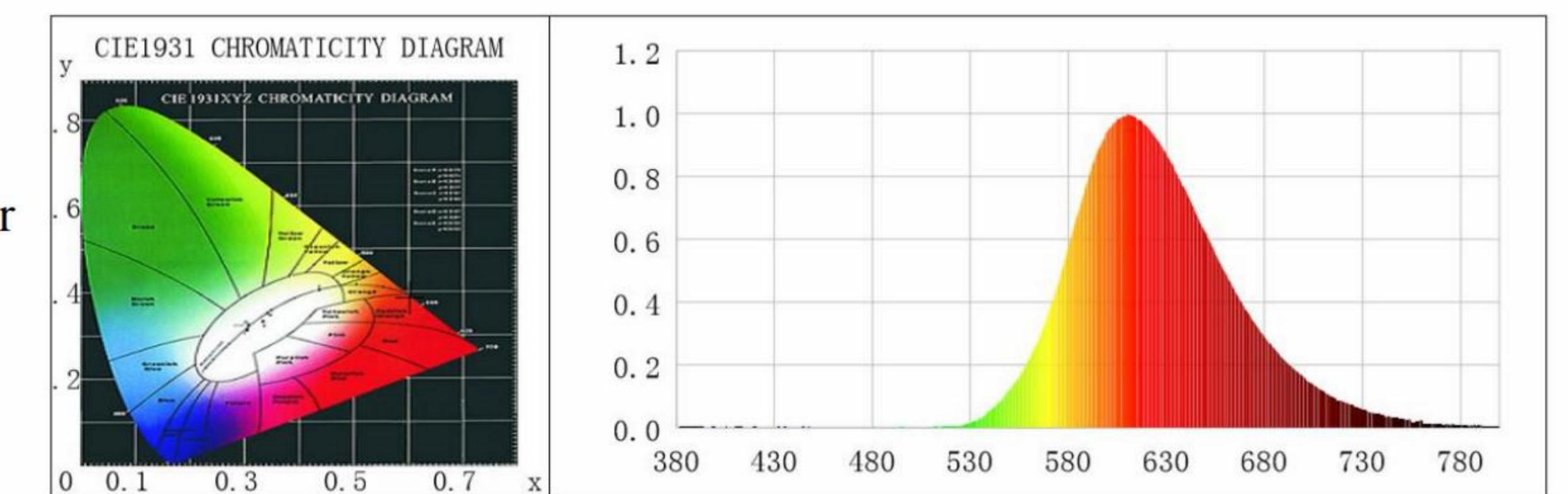


Item NO.: **KYAL3000**

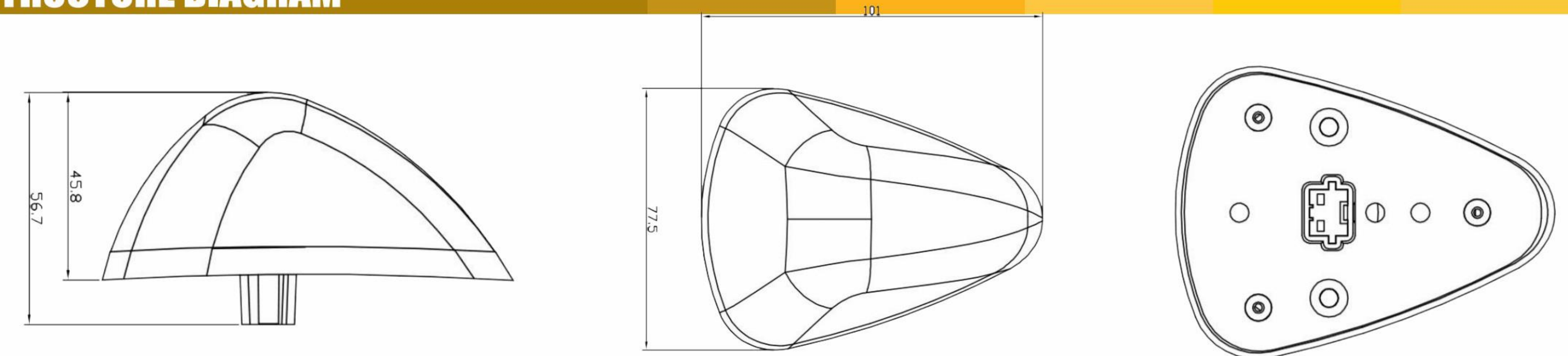


## DESCRIPTION

- .Multi-Voltage: 12V DC
- .High Intensity: 5730 High Power
- .Main material:PC Lens +UV
- .Impact resistant polycarbonate lens
- .PC Optional: Amber color,Smoked color,translucent color
- .LED Color :
- .Low Bright (normally bright mode): Amber
- .High Bright (Flashing mode): Amber, Blue,Red,White
- .Dust and Waterproof to IP67
- .Meets regulation UL EMC EMI



## STRUCTURE DIAGRAM



## CONTROLLER



# LED Pickup Truck Light

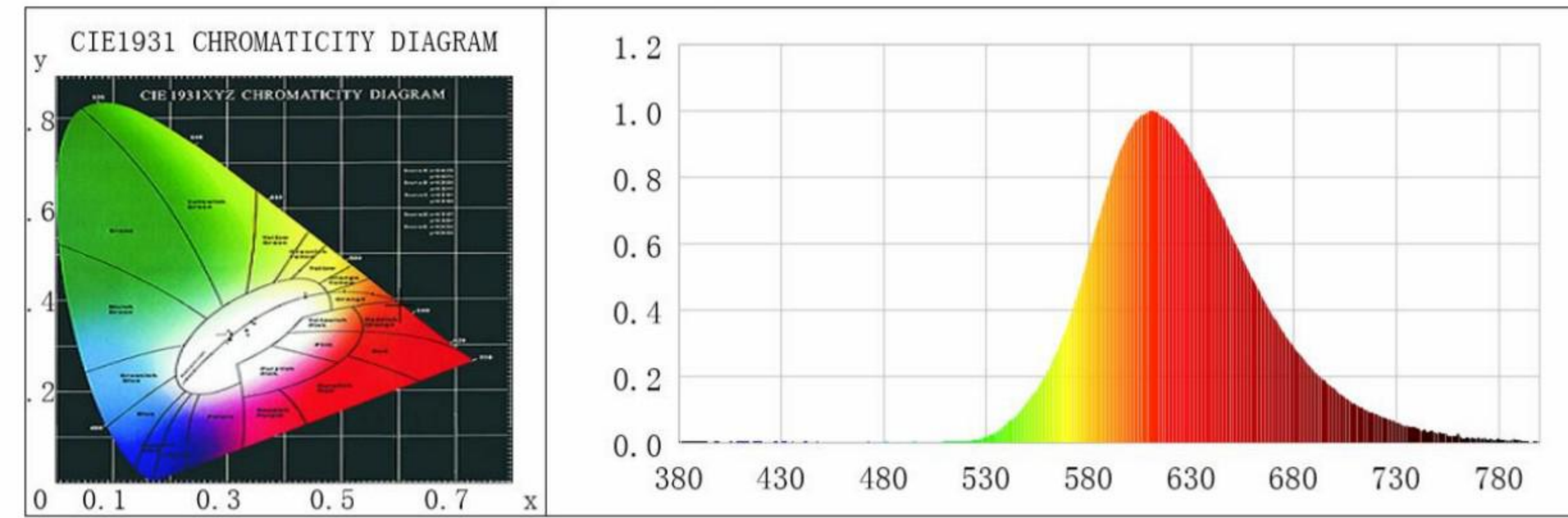


## Item NO.: XYAL3100

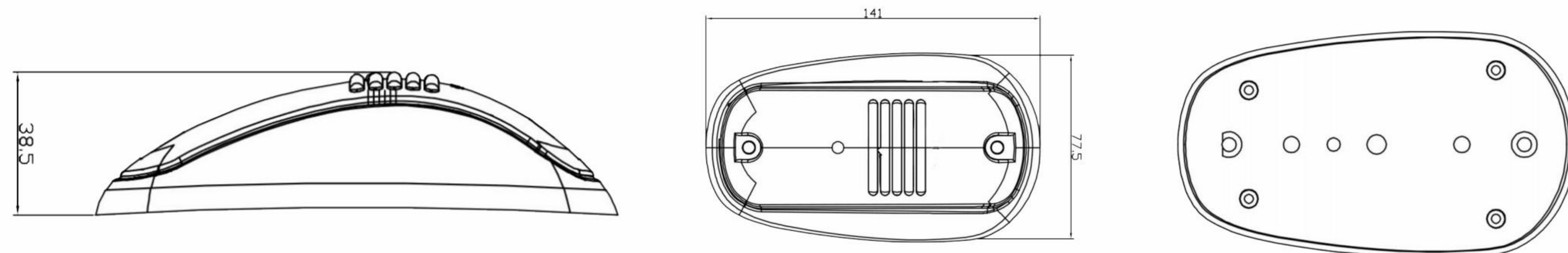


### DESCRIPTION

- .Multi-Voltage: 12V DC
- .High Intensity: 5730 High Power
- .Main material:PC Lens +UV
- .Impact resistant polycarbonate lens
- .PC Optional: Amber color,Smoked color,translucent color
- .LED Color :
- .Low Bright (normally bright mode): Amber
- .High Bright (Flashing mode): Amber, Blue,Red,White
- .Dust and Waterproof to IP67
- .Meets regulation UL EMC EMI



### STRUCTURE DIAGRAM



### CONTROLLER



# LED Pickup Truck Light

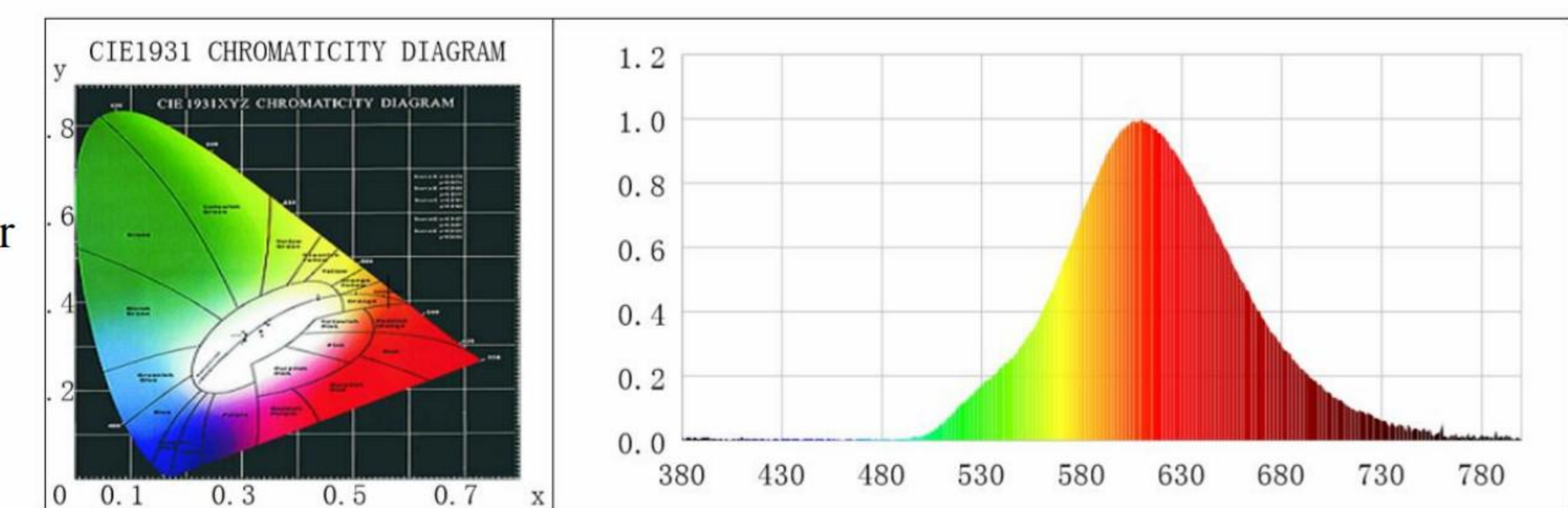


## Item NO.: XYAL4000

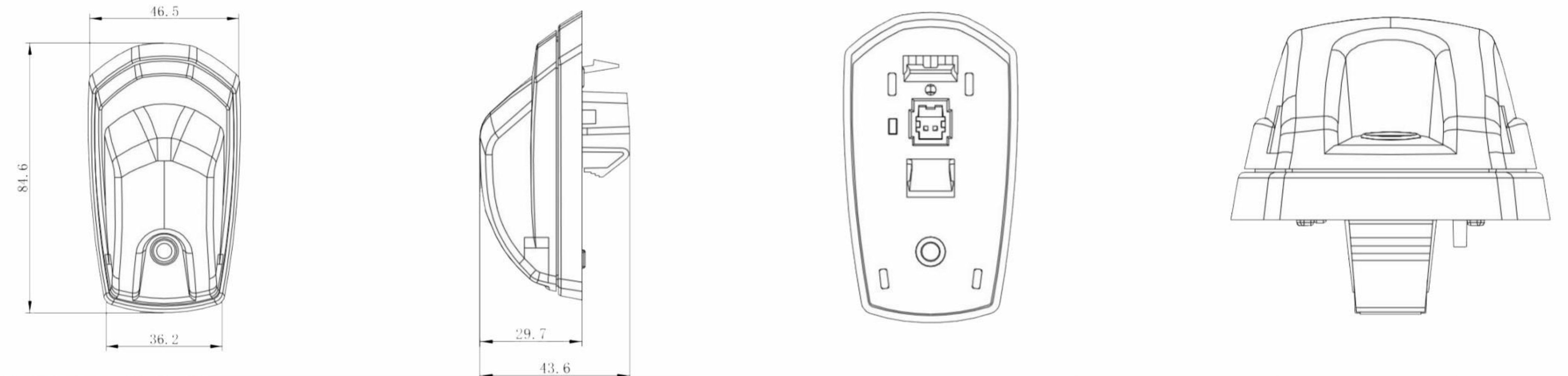


### DESCRIPTION

- .Multi-Voltage: 12V DC
- .High Intensity: 5730 High Power
- .Main material:PC Lens +UV
- .Impact resistant polycarbonate lens
- .PC Optional: Amber color,Smoked color,translucent color
- .LED Color :
- .Low Bright (normally bright mode): Amber
- .High Bright (Flashing mode): Amber, Blue,Red,White
- .Dust and Waterproof to IP67
- .Meets regulation UL EMC EMI



### STRUCTURE DIAGRAM



### CONTROLLER



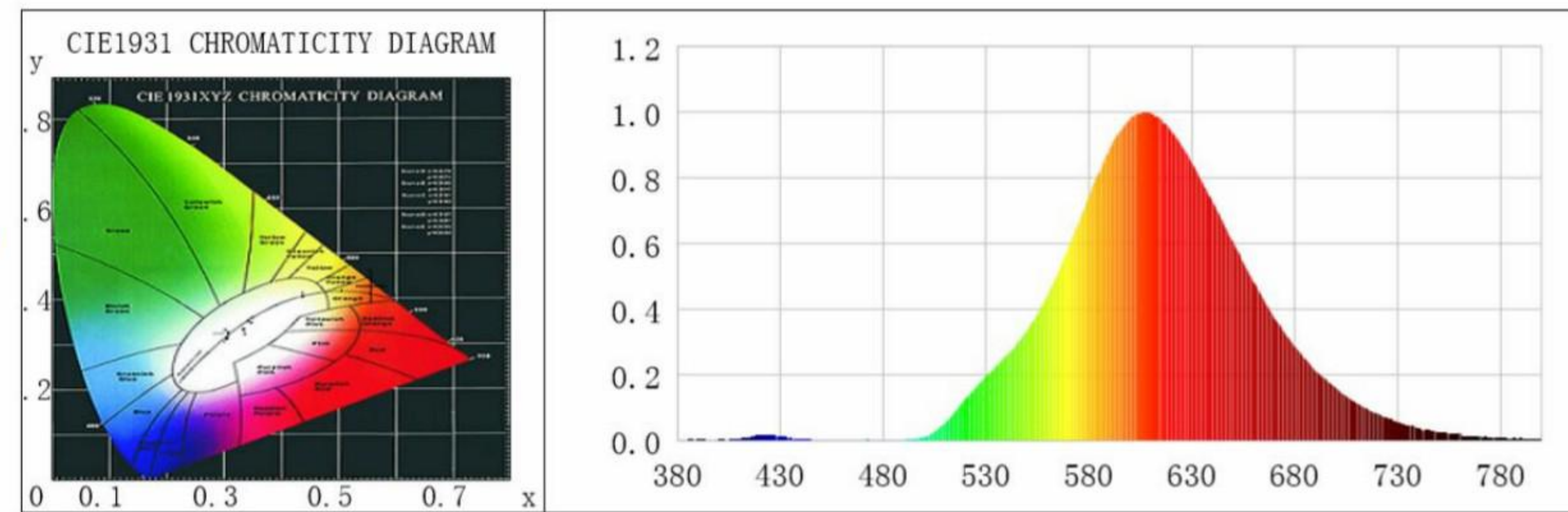
## KYAL3200

Item NO.:

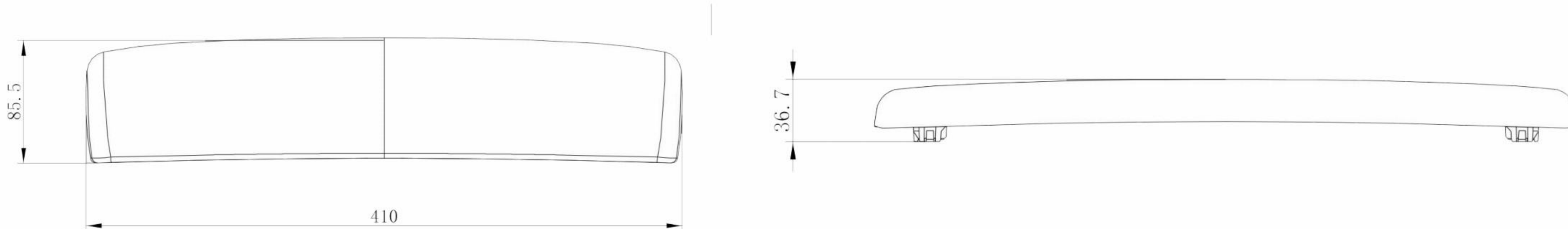


### DESCRIPTION

- .Multi-Voltage: 12V DC
- .High Intensity: 5730 High Power
- .Main material:PC Lens +UV
- .Impact resistant polycarbonate lens
- .PC Optional: Amber color,Smoked color,translucent color
- .LED Color :
- .Low Bright (normally bright mode): Amber
- .High Bright (Flashing mode): Amber, Blue,Red,White
- .Dust and Waterproof to IP67
- .Meets regulation UL EMC EMI



### STRUCTURE DIAGRAM



### CONTROLLER

